

# Milesight

## AI 180° Panoramic Mini Dome Network Camera

NDAA 

IP67

IK10



DATASHEET

### KEY FEATURES

- ▶ NDAA Compliance (The fully NDAA-compliant products are well suited for government, defense and a range of projects subject to the NDAA.)
- ▶ 120dB Super WDR (Excellent performance even when the ratio of the luminosity of brightest and darkest is up to 120dB.)
- ▶ Advanced Functions (Boasting to support various advanced functions such as HLC, ROI.)
- ▶ 256G (Supporting ultra-large external microSD/SDHC/SDXC card storage up to 256G.)
- ▶ Integrated Junction Box (Ensuring the hassle-free installation and reliable operation with neat cable management.)
- ▶ Built-in Microphone (Using advanced codecs to provide clearer voice and robust performance.)
- ▶ Smart Stream (Bandwidth, storage and bit rate are saved with Smart Stream On, e.g. H.265+ saves 70%~80% bandwidth that of H.264.)

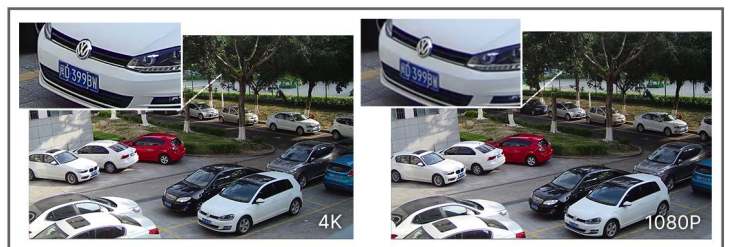
### AI Video Analytics

- 8 intelligent VCA modes powered by AI engine, which can intelligently filter objects to focus on human and vehicle detection.
- People Counting technology provides high accuracy and real-time data based on AI algorithm with statistic reports.



### 4K Video Viewing Experience

The camera performs well in catching detailed image with 4K HD resolution regardless of the moving speed.



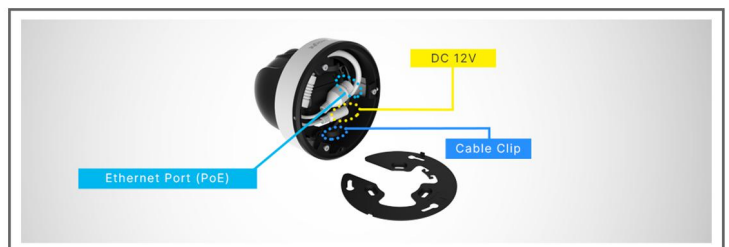
### 180° Panoramic View

The camera is perfect for whole picture viewing experience. It catches 180° horizontal coverage and 95° vertical coverage, achieving 180° panoramic viewing with only single sensor, which is a revolutionary creation in the dome model.



### Integrated Junction Box

Coming with the integrated junction box, The Network Camera not only brings a simplified installation with better aesthetics and professional look of the video surveillance system, but also provides higher operation stability.



# AI 180° Panoramic Mini Dome Network Camera



	Model	MS-C5376-PA (5MP)	MS-C8176-PA (4K)
<b>Camera</b>	Image Sensor	1/2.8" Progressive Scan CMOS	
	Min. Illumination	Color: 0.005Lux@F1.2 Color: 0.008Lux@F2.0 B/W: 0Lux with IR on	Color: 0.01Lux@F1.2 Color: 0.012Lux@F2.0 B/W: 0Lux with IR on
	WDR	120dB Super WDR	
	Lens	1.68mm@F2.0	
	Mount	M12	
	Field of View	H180°/V95°	H180°/V86°
	Shutter Time	1/100000s~1s	
	IR Distance	Up to 15m	
	Day/Night Mode	Day/Night/Auto/Customize/Schedule	
	S/N	>55dB	
<b>Video</b>	Max. Image Resolution	2592x1944 (Original)	3840x2160
	Primary Stream	60Hz: 30fps@(2592x1944)(Original), 30fps@(2560x1440, 1920x1080, 1280x720) 50Hz: 25fps@(2592x1944)(Original), 25fps@(2560x1440, 1920x1080, 1280x720)	60Hz: 25fps@(3840x2160), 30fps@(3456x1936, 3200x1800, 2880x1624, 2560x1440, 1920x1080, 1280x720) 50Hz: 25fps@(3840x2160, 3456x1936, 3200x1800, 2880x1624, 2560x1440, 1920x1080, 1280x720)
	Secondary Stream	60Hz: 30fps@(704x576, 640x480, 640x360, 352x288, 320x240) 50Hz: 25fps@(704x576, 640x480, 640x360, 352x288, 320x240)	
	Tertiary Stream	60Hz: 30fps@(1280x720, 704x576, 640x480, 640x360,352x288, 320x240) 50Hz: 25fps@(1280x720, 704x576, 640x480, 640x360,352x288, 320x240)	
	Video Compression	H.265+/H.265(HEVC)/H.264+/H.264/MJPEG	
	Video Bit Rate	16Kbps~16Mbps(CBR/VBR Adjustable)	
	Privacy Masking	Up to 24 areas	
	ROI	Up to 8 areas	
	Image Setting	Brightness/Contrast/Saturation/Sharpness	
<b>Interface</b>	Ethernet	1*RJ45 10M/100M Ethernet Port	
	Audio Interface	Built-in Microphone	
<b>Network</b>	Network Storage	NAS(Support NFS, SMB/CIFS), ANR	
	Protocol	IPv4/IPv6, ARP, TCP, UDP, RTCP, RTP, RTSP, RTMP, HTTP, HTTPS, DNS, DDNS, DHCP, FTP, NTP, SMTP, SNMP, UPnP, Bonjour, SIP, PPPoE, VLAN, 802.1x, QoS, IGMP, ICMP, SSL	
<b>Audio</b>	Audio Compression	G.711/AAC/G.722/G.726	
	Audio Sampling Rate	8/16/32/44.1/48KHz	
	Audio Bit Rate	16~256kbps	
	Two-way Audio	N/A	

# AI 180° Panoramic Mini Dome Network Camera

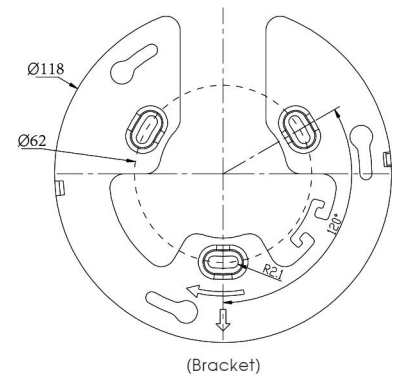
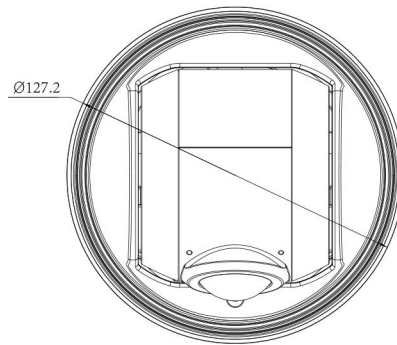
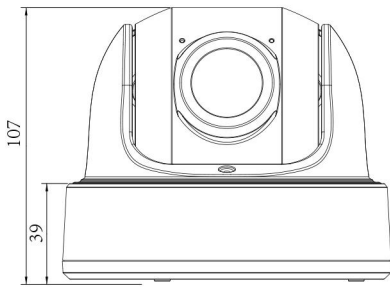
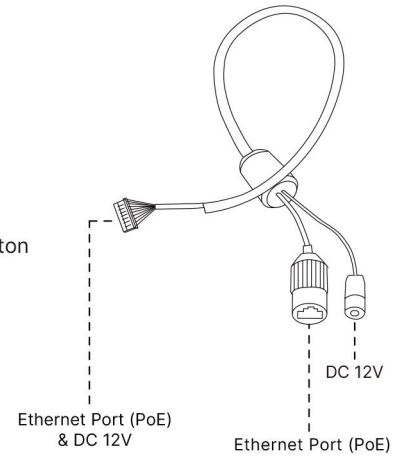
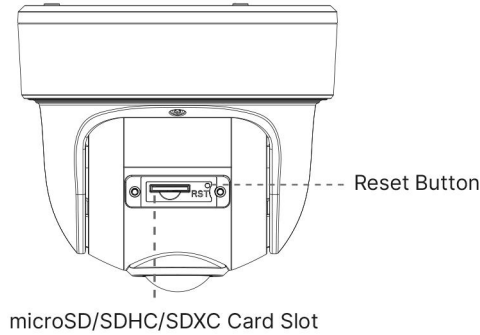
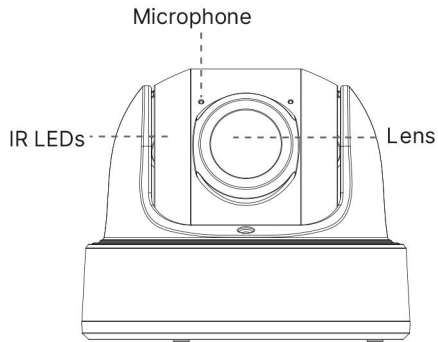


<b>Intelligent Analytics</b>	Video Analysis	Region Entrance, Region Exiting, Advanced Motion Detection, Tamper Detection, Line Crossing, Loitering, Object Left, Object Removed				
	People Counting& Report	Count the number of people entering or exiting, up to 4 detection areas for regional people counting				
<b>System</b>	Storage	Support microSD/SDHC/SDXC Card Local Storage, up to 256G				
	Advanced Function	Heat Map, BLC, HLC, 2D DNR, 3D DNR, AWB, IP Address Filtering, AGC, Anti-flicker, Corridor Mode, Deblur, Watermark				
	SIP/VoIP Support	Yes, Voice & Video-over-IP				
	Event Trigger	Motion Detection, Network Disconnection, Audio Alarm, etc.				
	Event Action	FTP Upload, SMTP Upload, SD Card Record, SIP Phone, HTTP Notification, etc.				
	System Compatibility	ONVIF Profile G & Q & S & T, API				
<b>General</b>	Working Temperature	-40°C~60°C				
	Working Humidity	0~90%(Non-condensing)				
	Power Supply	PoE (802.3af) / DC 12V ± 10%				
	Power Consumption	<table style="width: 100%; border: none;"> <tr> <td style="width: 50%; text-align: center;">5W MAX</td> <td style="width: 50%; text-align: center;">6W MAX</td> </tr> <tr> <td style="text-align: center;">8W MAX (With IR on)</td> <td style="text-align: center;">9W MAX (With IR on)</td> </tr> </table>	5W MAX	6W MAX	8W MAX (With IR on)	9W MAX (With IR on)
	5W MAX	6W MAX				
	8W MAX (With IR on)	9W MAX (With IR on)				
	Weather Proof	Up to IP67-rated for Weather-resistant Performance				
	Housing	Vandal-proof IK10-rated Metal Housing				
	Weight	853g				
Dimensions	Φ127mmX107mm					
Warranty	3/5 Years					

# AI 180° Panoramic Mini Dome Network Camera



## Structure Diagrams



Units: mm

## Accessories Support

A01 Pole Mount

Weight: 720g  
Dimensions: 170\*51.5\*152.6mm



A03 External Corner Bracket

Weight: 900g  
Dimensions: 170\*152.5\*76.3mm



A71 Wall Mount

Weight: 530g  
Dimensions: 162\*124\*78 mm



**Milesight Technology** | [www.milesight.com](http://www.milesight.com)  
Contact Us: [sales@milesight.com](mailto:sales@milesight.com) [support@milesight.com](mailto:support@milesight.com)

Add: 220 NE 51st Street, Oakland Park, Florida 33334, USA  
Tel: +1-800-561-0485

Add: 925, Anyang SK V1 Center, LS-ro 116beon-gil, Dongan-gu, Anvng-si, Korea  
Tel: +82-31-990-7732

Add: Building C09, Software Park Phase III, Xiamen 361024, Fujian, China  
Tel: +86-592-5922772

